

ELDWICK

SLIPPER BATH



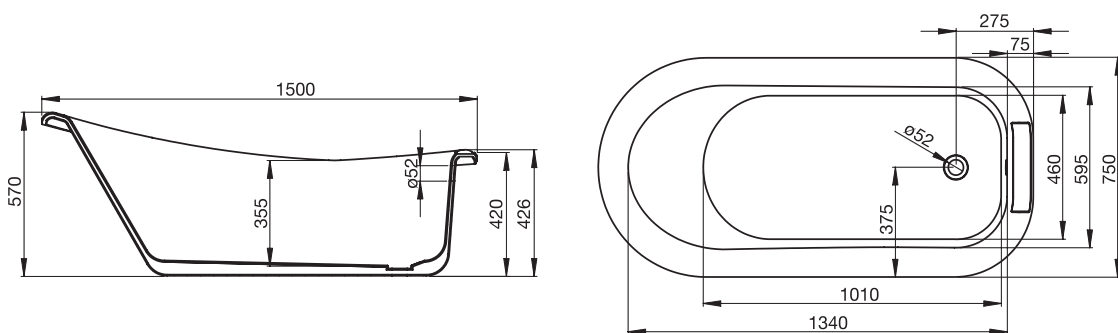
SIZE : (h) 426/570 x (w) 1500 x (d) 750mm

WEIGHT : **22Kg**

WHITE : **28A1510**

CAPACITY : **150 Litre**

DOVE GREY : **28A1510/421**



Double skinned freestanding bath, proudly manufactured in the UK.

The bath is tested to BS EN 14516 and BS EN 198 standards.

Bath supplied undrilled for tap holes, waste and taps not included.

Bath drilled for waste and overflow, feet sold separately.