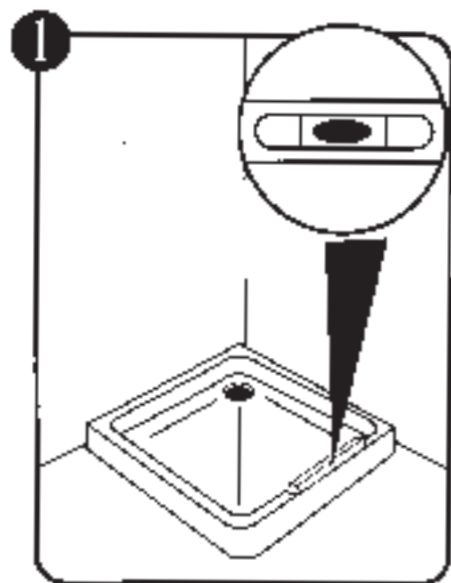


April SHOWER DOOR

Recessed Installation Instructions

Z03/011
JUNE 03

Adjustment: 760 door = min 710 max 750mm 900 door = min 850 max 890mm



Establish the required position of the door on the shower tray using the adjustment figures above. **Note** if the total door size is less than 730mm for the 760 door or 870mm for the 900 door the "through fix method" mentioned below in paragraph 5 will need to be done for both wall channels.

Position both wall channels (items 2) in the required position on the tray, make sure they are plumb (use spirit level) then mark off the wall for the 3-fixing screws for each channel. **Note:** It is helpful to apply masking tape to tiled walls. This will allow for a clearer mark and will help to stop the drill skidding.

Using a 6mm Masonry drill, drill the 3 holes for each channel. **Take care to be accurate with these holes otherwise the access holes in the door will not align correctly.** Apply the 6 Rawl plugs (item 8).

If the door opening is more than either 730 or 870 secure one of the wall channels using the No6 x 1 3/4" long screws. (items 3)

Slot the second wall channel onto the door (item 1) and slide the door assembly into the first wall channel. Secure the second wall channel to the wall using the remaining 3-No6 x 1 3/4" long screws, which have to go through the clearance holes in the door, (through fix method). **Note** If the door opening is less than 730 or 870 then the through fix method at 5 will need to be done for both wall channels.

a Centralise the door between the 2 channels and secure by first drilling 3-2.5mm dia. holes into each channel and door, suitably spaced approx 8mm from the inside face of the door, then secure with the 6-No6 x 3/8" long self tapping screws, caps and washers (items 4, 5 and 6).

o Check that the door operates correctly. A periodic application of vaseline or similar to the door slides (Bi-fold only) is advisable. If the doors do not operate correctly contact your supplier.

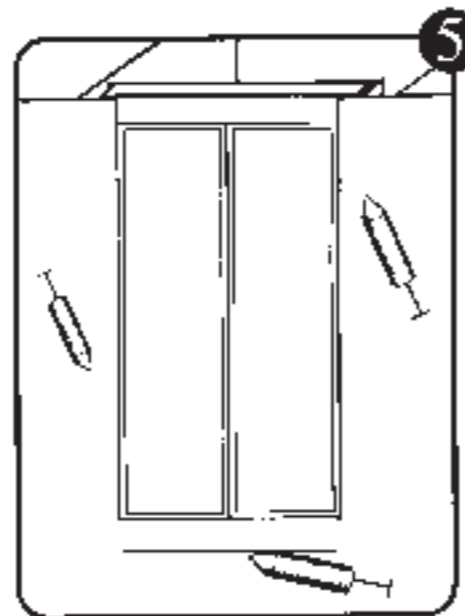
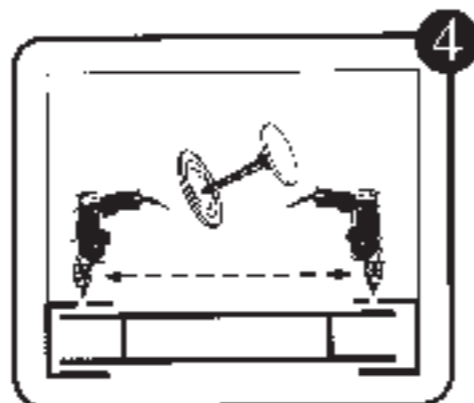
Finally push the 6 domed plugs (items 7) into the door clearance holes. Silicone the

Tools required:

Drill
Masonry Drill Bit 6mm
Metal Drill Bit 2.5mm
Pencil
Screwdriver
Spirit Level
Silicone Sealant

IMPORTANT NOTES

1. The cubicle can be installed either way up, for left or right hand opening.
2. Some areas have a protective tape cover. It is recommended that this is left on until installation is completed.
3. These instructions and list of parts presume that installation is done against solid/tiled walls.
4. Check that all parts are included using the parts list provided.
5. Please check for damage to the cubicle prior to starting the installation, claims under these headings after installation cannot be accepted.



Parts List

Item	Description	Qty
1	Bi Fold Door	1
2	Wall Channels	2
3	Screws 1 3/4" x No6 C/S Posi	6
4	Screws No 6x3/8"	6
5	Screw cap cover	6
6	Screw cap washer	6
7	Dome plugs 8mm	6
8	Wall plugs	6

April SHOWER DOOR AND SIDE PANEL

Installation Instructions

Z03/011
JUNE 03

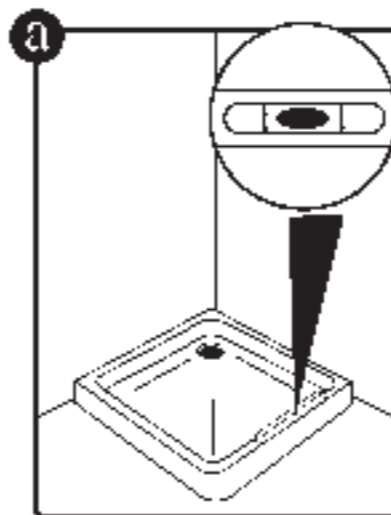
Adjustment: 900 door = 850 to 890mm 900 side panel = 860 to 880mm
760 door = 710 to 750mm 760 side panel - 720 to 740mm

IMPORTANT NOTES

1. The cubicle can be installed either way up, for left or right hand opening.
2. Some areas have a protective tape cover. It is recommended that this is left on until installation is completed.
3. These instructions and list of parts presume that installation is

done against solid/tiled walls.

4. Check that all parts are included using the parts list provided.
5. Please check for damage to the cubicle prior to starting the installation, claims under these headings after installation cannot be accepted.



1. Establish the required position of the door and side panel using the adjustment figures above. It is recommended that wherever possible, have the pivot or fixed side of the door secured to the wall channel and not the side panel.

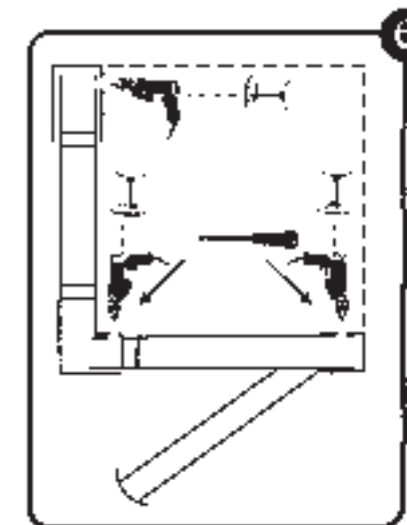
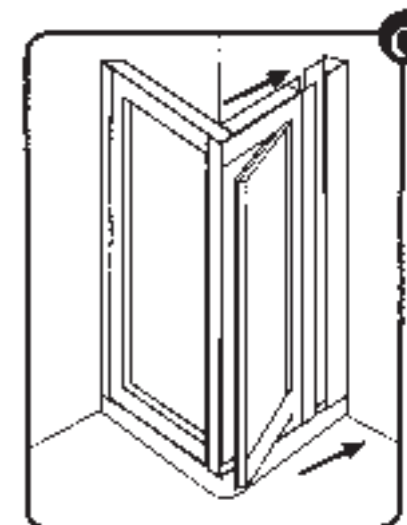
2. Position both wall channels onto tray, check for plumb using a spirit level, then mark off the 3 fixing holes in each. Using a 6mm dia. Masonry drill, drill all 6 holes and insert Rawl plugs (items 8).

Note:- It is helpful to apply masking tape to tiled walls. This will allow for a clearer mark and will help to stop the drill skidding.

3. Secure both wall channels using the 6-No6 x 1 3/4" long screws. Position the side panel and door into their wall channels then slide them together. Centralise the door and panel also plumb the side panel corner post both ways. Secure the door and panel with the 9-No6 x 3/8" long self tapping screws, caps and washers (items 4, 5, 6) having first drilled 2.5mm dia. holes through the wall and door channels suitably spaced approx 8mm in from the inside edge. It is good practice to drill and fix 1 screw at a time and to check that neither the door nor panel has moved during drilling.

4. Check that the door operates correctly. A periodic application of vaseline or similar to the door slides (Bi-fold only) is advisable. If the doors do not operate correctly contact your supplier.

5. Finally push the 6 domed plugs (items 7) into the door clearance holes. Silicone the inside and outside vertical joints but only the outside of the bottom horizontal joint.



Included are:

Item	Description	Qty
1.	Pivot Door	1
2.	Wall Channels	2
3.	Screws 1 3/4" x No6 C/S Posi	6
4.	Screws No 6x3/8"	9
5.	Wall plugs	6
6.	Side Panel	1
7.	Screw cap covers	9
8.	Screw cap washers	9
9.	Dome plugs 8mm	3

Tools required:

Drill, Masonry Drill Bit 6mm
Metal Drill Bit 2.5mm, Pencil
Screwdriver, Spirit Level, Silicone Sealant

